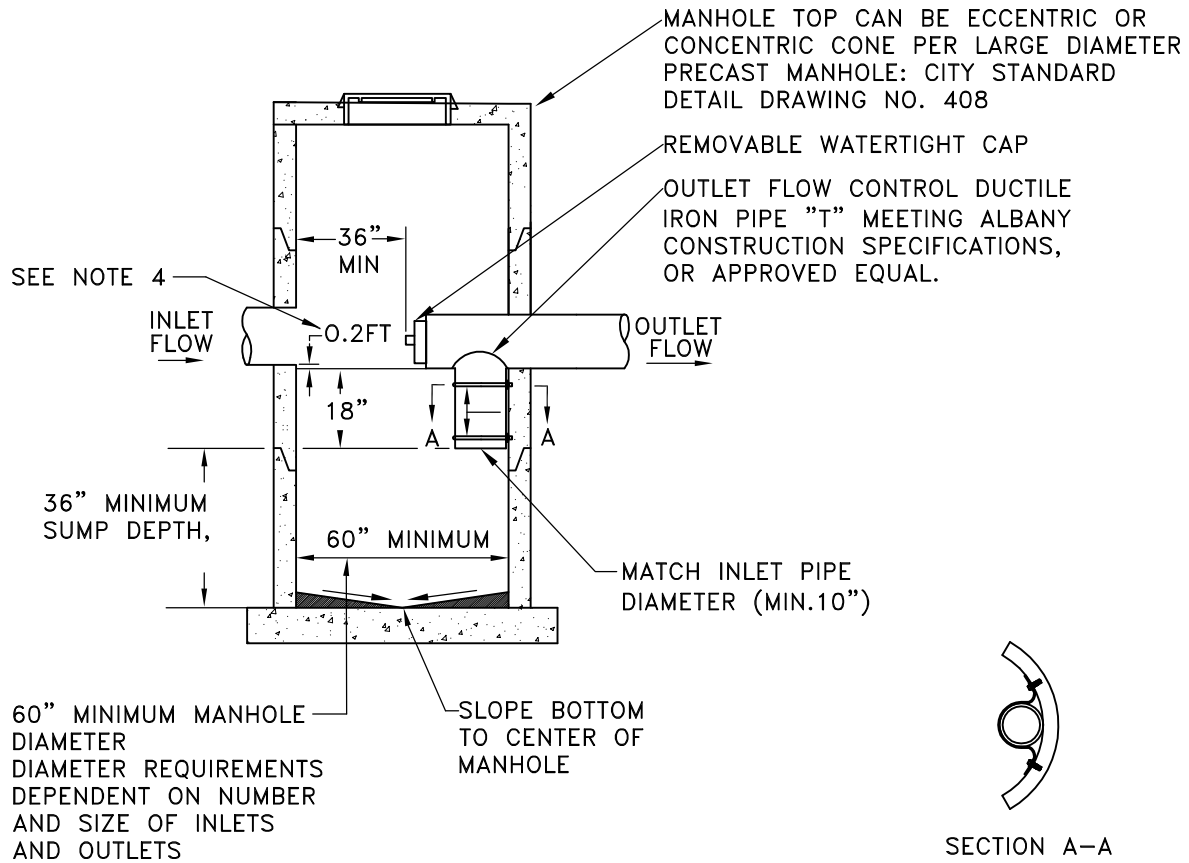
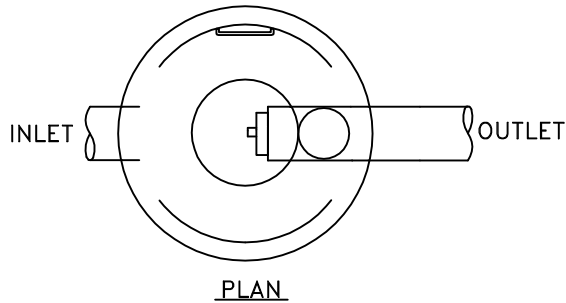
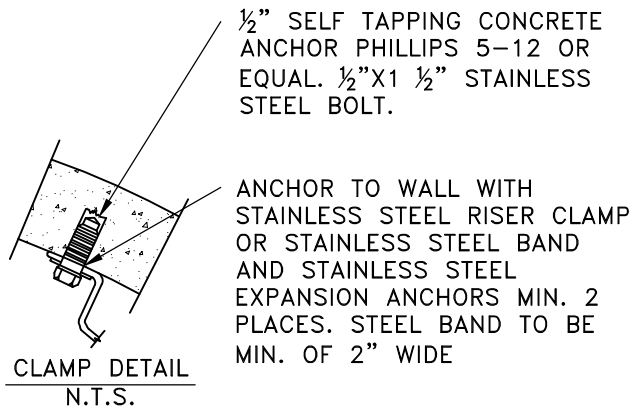


NOTES:

1. MANHOLE, BASES, BARRELS AND CONE SECTIONS SHALL CONFORM TO THE REQUIREMENTS OF ASTM C-478 AND APPLICABLE PROVISIONS OF THE STANDARD CONSTRUCTION SPECIFICATIONS DIV. 4 AND STD. MANHOLE DRAWING NO. 408.
2. PROVIDE SPECIAL DETAIL FOR OUTLET FLOW CONTROL EXCEEDING 18" DIA.
3. MAINTAIN 0.2' DROP INLET TO OUTLET INVERT.



SECTION A-A
(SEE CLAMP DETAIL THIS SHEET)



CITY OF ALBANY, OREGON PUBLIC WORKS DEPARTMENT		
PRETREATMENT MANHOLE		
NO SCALE	JULY 2019	NO. 621